

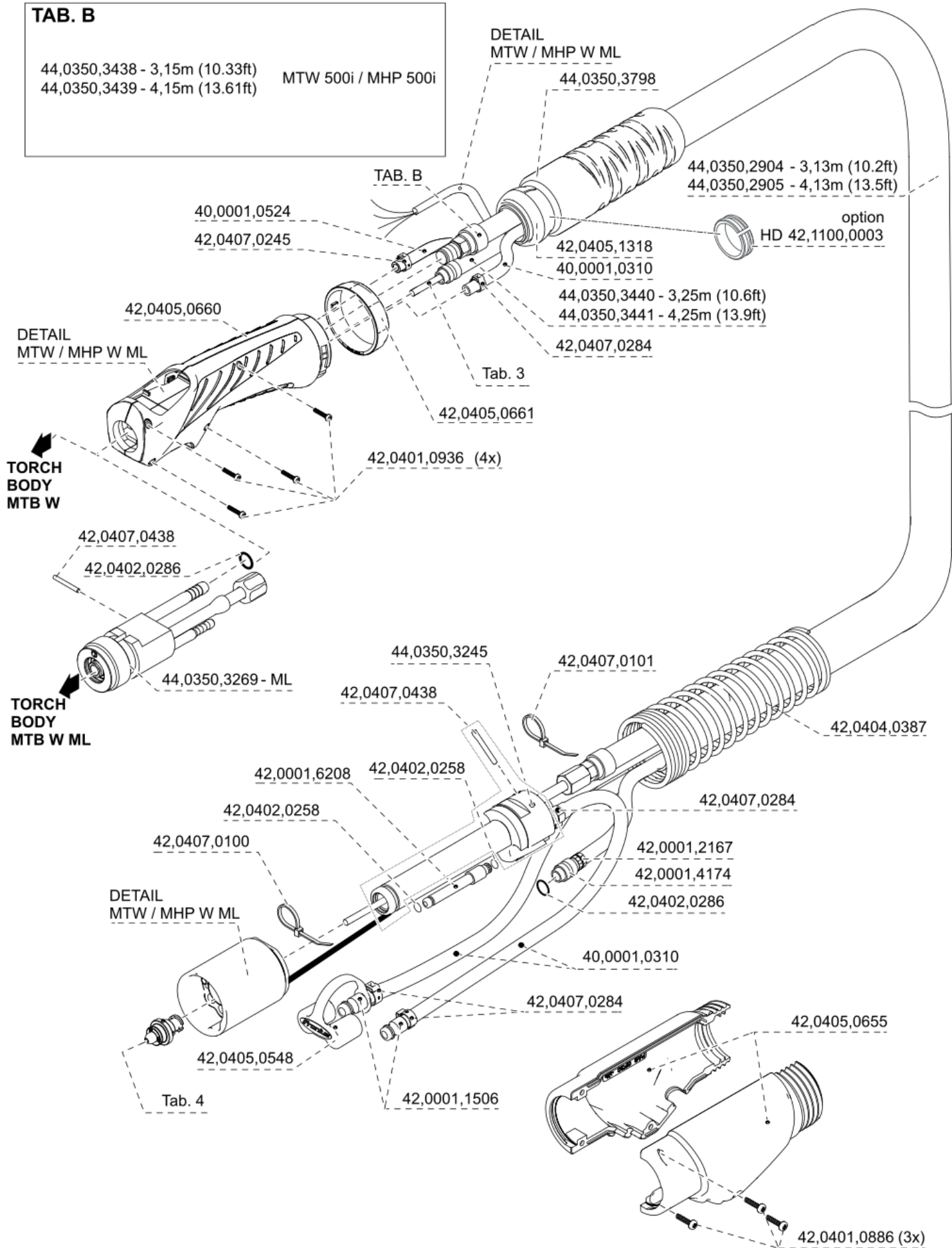
MTW 500i /FSC/3,5m/45° LED

4,035,957

MTW 500i / FSC/3.5m/45°/LED (4,035,957)

MTW / MHP W ML

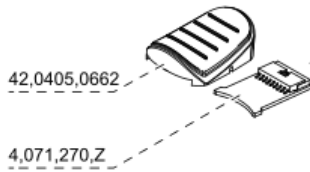
| TAB. B | |
|--------------------------------|---------------------|
| 44,0350,3438 - 3,15m (10.33ft) | MTW 500i / MHP 500i |
| 44,0350,3439 - 4,15m (13.61ft) | |



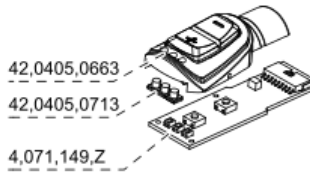
MTW 500i /FSC/3.5m/45°/LED (4,035,957)

DETAIL MTW-MHP W ML

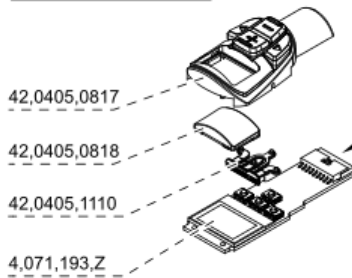
STANDARD LED



UP/DOWN LED



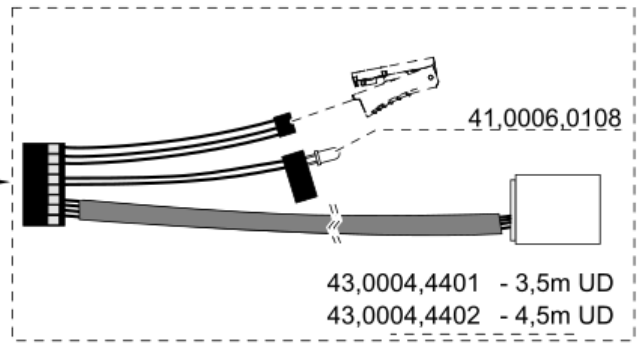
JM LED



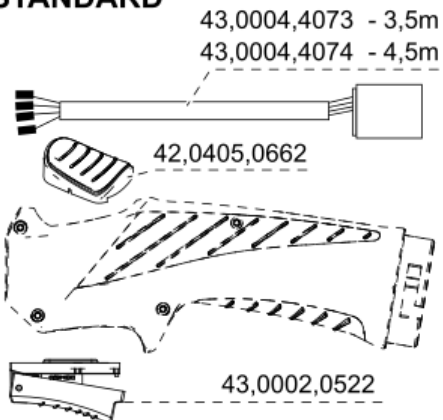
POTI LED



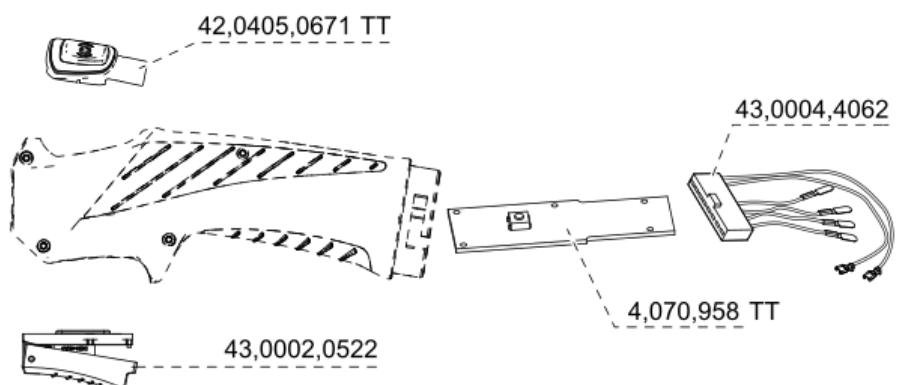
connect



STANDARD

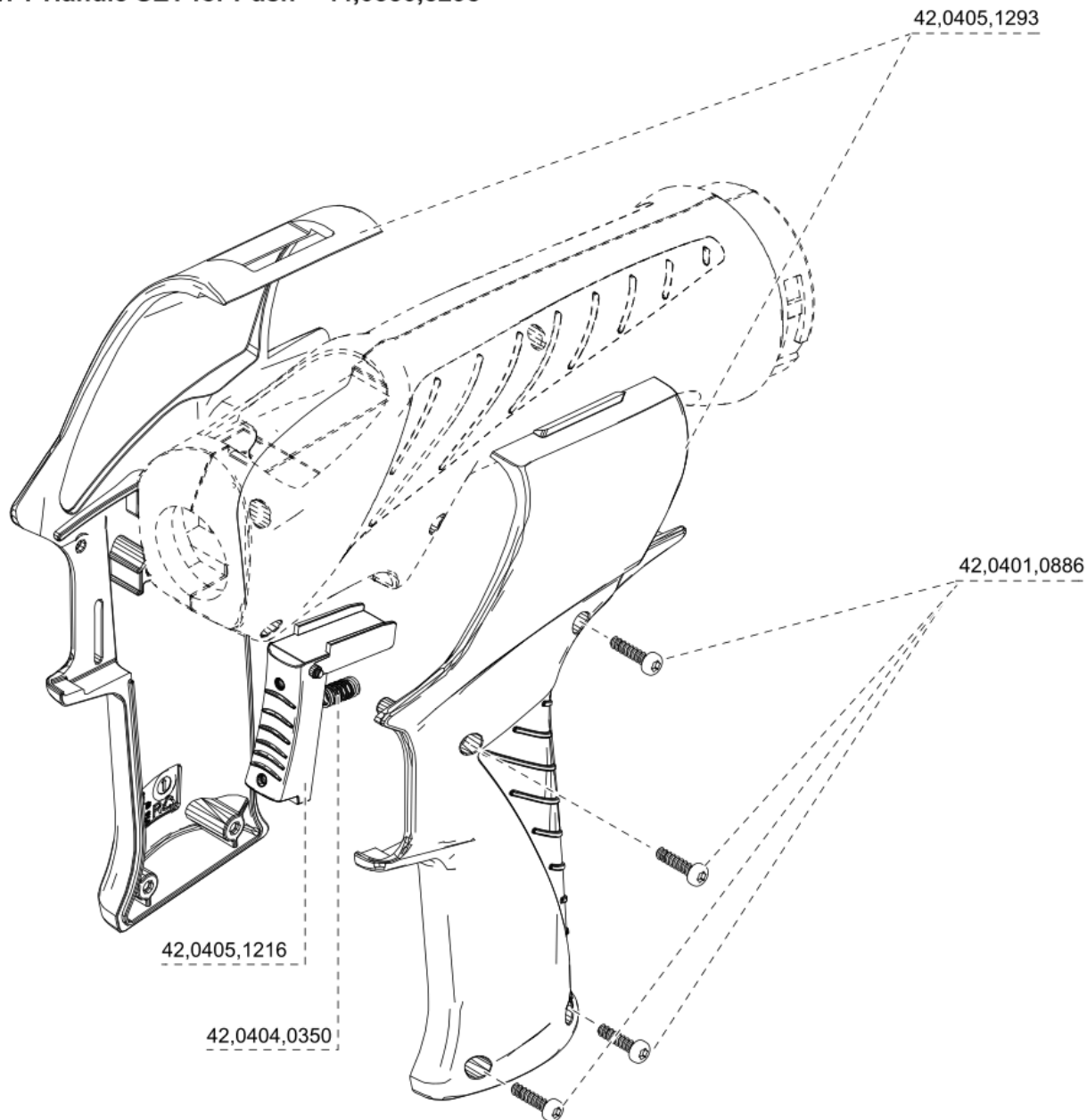


TORCH TRIGGER - only standard

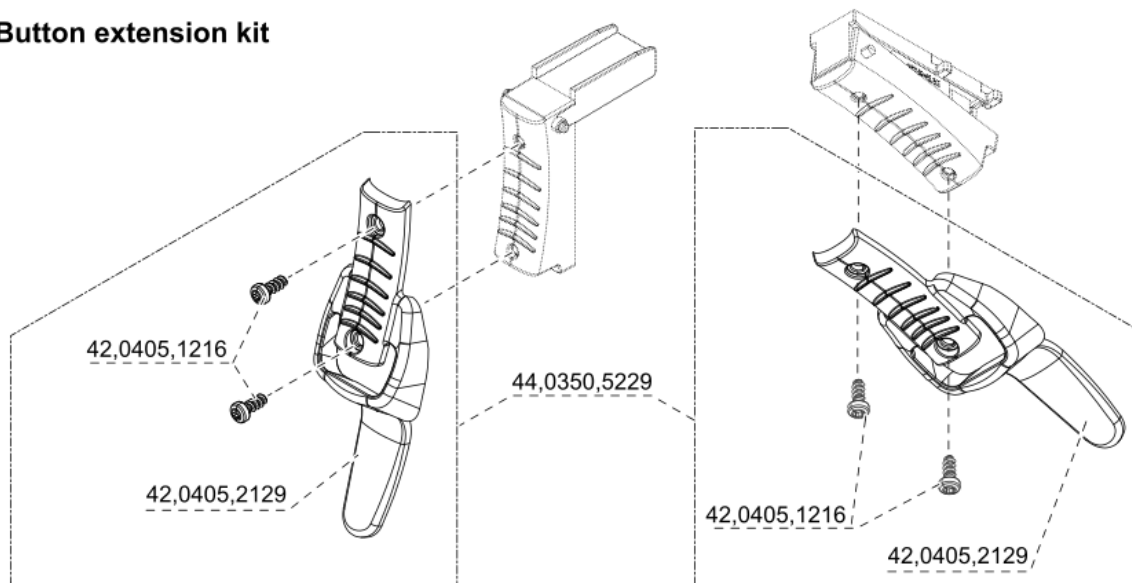


MTW 500i /FSC/3.5m/45°/LED (4,035,957)

OPT/i T-Handle SET for Push 44,0350,5298

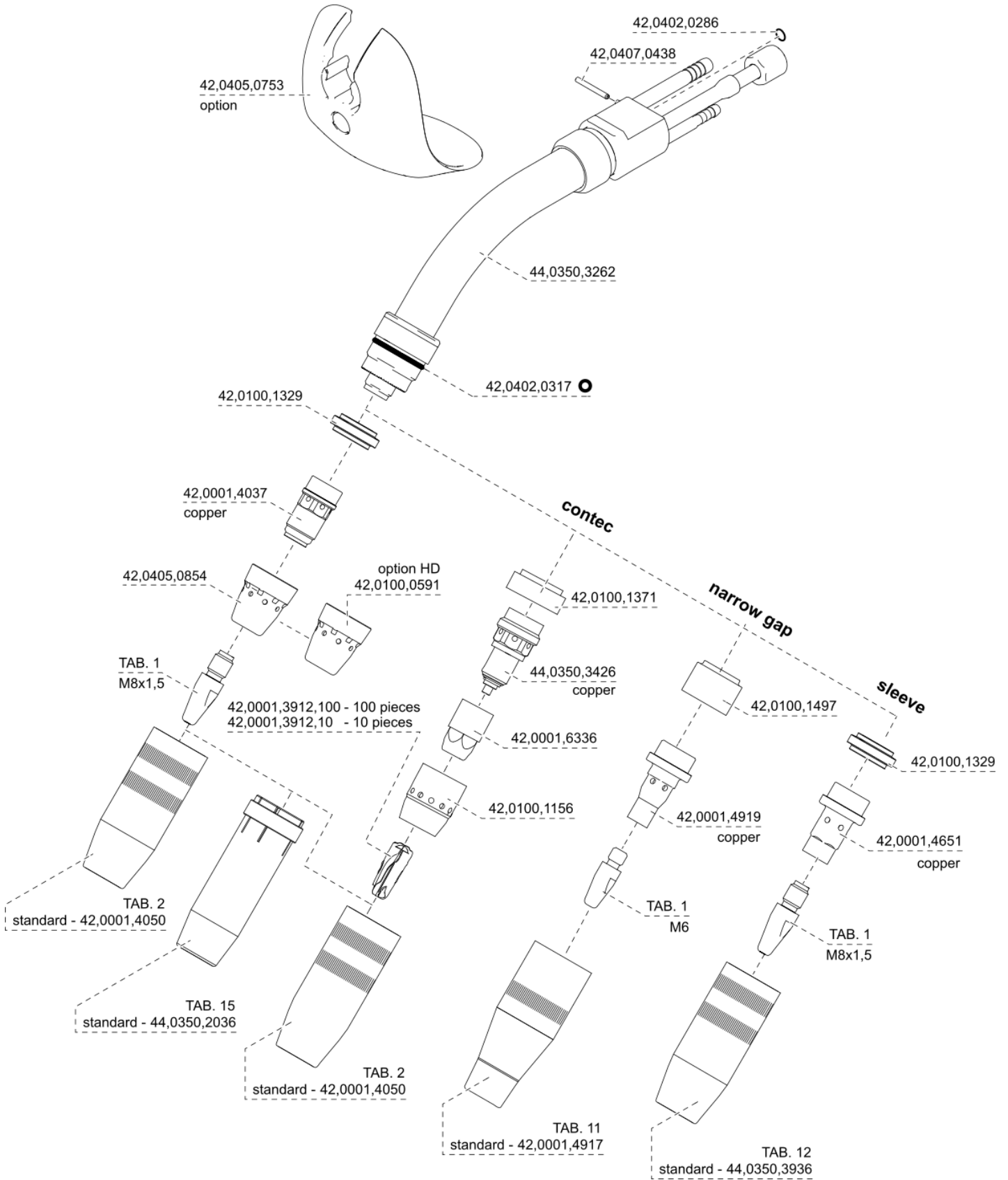


OPT/i Button extension kit

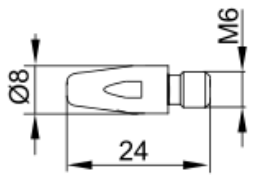
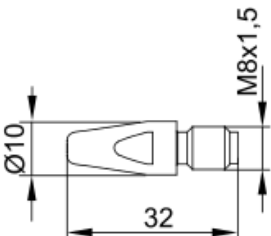
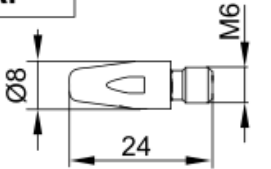
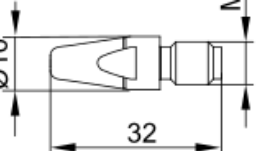


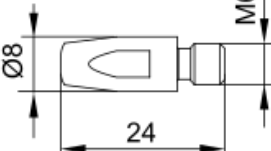
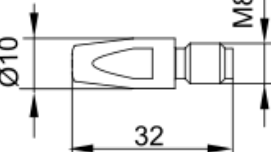
MTW 500i /FSC/3.5m/45°/LED (4,035,957)

MTW 500i



MTW 500i /FSC/3.5m/45°/LED (4,035,957)

| TAB. 1 CuCrZr | | Ø mm | Ø inch | Part No. |
|--|-----|-------|-----------------|-----------------|
|  | | 0,6 | 0,023 | 42,0001,4928 |
| | | 0,7 | 0,027 | 42,0001,6524,10 |
| | | 0,8 | 0,030 | 42,0001,4461,10 |
| | | 0,9 | 0,035 | 42,0001,4462,10 |
| | | 1,0 | 0,040 | 42,0001,4463,10 |
| | | 1,1 | 0,043 | 42,0001,6527,10 |
| | | 1,2 | 0,045 | 42,0001,4464,10 |
| | | 1,3 | 0,051 | 42,0001,6529,10 |
| | | 1,4 | 0,052 | 42,0001,4465,10 |
| | | 1,5 | 0,059 | 42,0001,6522,10 |
| | | 1,6 | 0,062 | 42,0001,4466,10 |
|  | | 0,7 | 0,027 | 42,0001,6482,10 |
| | | 0,8 | 0,030 | 42,0001,6464,10 |
| | | 0,9 | 0,035 | 42,0001,6465,10 |
| | | 1,0 | 0,040 | 42,0001,6466,10 |
| | | 1,1 | 0,043 | 42,0001,6483,10 |
| | | 1,2 | 0,045 | 42,0001,6467,10 |
| | | 1,3 | 0,051 | 42,0001,6484,10 |
| | | 1,4 | 0,052 | 42,0001,6468,10 |
| | | 1,5 | 0,059 | 42,0001,6485,10 |
| | | 1,6 | 0,062 | 42,0001,6469,10 |
| | | 1,8 | 0,071 | 42,0001,6470,10 |
| | 2,0 | 0,078 | 42,0001,6471,10 | |
| | 2,4 | 0,095 | 42,0001,6472,10 | |
| | 2,8 | 0,110 | 42,0001,4642,10 | |
| Al  | | 0,8 | 0,030 | 42,0001,6525,10 |
| | | 1,0 | 0,040 | 42,0001,6526,10 |
| | | 1,2 | 0,045 | 42,0001,6528,10 |
| | | 1,6 | 0,062 | 42,0001,6523,10 |
| | | | | |
| Al  | | 0,8 | 0,030 | 42,0001,6537,10 |
| | | 1,0 | 0,040 | 42,0001,4750,10 |
| | | 1,2 | 0,045 | 42,0001,4751,10 |
| | | 1,6 | 0,062 | 42,0001,4752,10 |
| | | | | |

| TAB. 1 E-Cu | | Ø mm | Ø inch | Part No. |
|---|--|------|--------|-----------------|
|  | | 0,9 | 0,035 | 42,0001,7025,10 |
| | | 1,0 | 0,040 | 42,0001,7026,10 |
| | | 1,2 | 0,045 | 42,0001,7027,10 |
| | | | | |
|  | | 0,9 | 0,035 | 42,0001,7028,10 |
| | | 1,0 | 0,040 | 42,0001,7029,10 |
| | | 1,2 | 0,045 | 42,0001,7030,10 |
| | | | | |

MTW 500i /FSC/3.5m/45°/LED (4,035,957)

TAB. 2

| | d1 | | d2 | | d3 | | L | | Part No. | | |
|---|-------|------|------|------|------|------|------|--------------|--------------|--------------------------|--------------------------------|
| | mm | inch | mm | inch | mm | inch | mm | inch | | | |
| MTW 250i MTG 250i MTB W 250i R MTB G 250i R | M20x2 | | | | | | | | | | |
| | 8 | 0.31 | 22 | 0.86 | 10,4 | 0.41 | 58 | 2.28 | 42,0001,6664 | | standard MTW 250i Braze |
| | 10 | 0.39 | 22 | 0.86 | 13,0 | 0.51 | 54 | 2.13 | 42,0001,4083 | | |
| | 13 | 0.51 | 22 | 0.86 | 16,1 | 0.63 | 54 | 2.13 | 42,0001,4799 | | |
| | 13 | 0.51 | 22 | 0.86 | 16,1 | 0.63 | 56 | 2.20 | 42,0001,4477 | | standard MTB 250i G/W R |
| | 10 | 0.39 | 22 | 0.86 | 13,0 | 0.51 | 58 | 2.28 | 42,0001,4084 | | |
| | 13 | 0.51 | 22 | 0.86 | 16,1 | 0.63 | 56 | 2.20 | 42,0001,4498 | AI | |
| | 13 | 0.51 | 22 | 0.86 | 16,1 | 0.63 | 58 | 2.28 | 42,0001,4065 | | standard MTG/MTW 250i |
| | 15 | 0.59 | 22 | 0.86 | 18,3 | 0.72 | 58 | 2.28 | 42,0001,4493 | | |
| | 18 | 0.71 | 22 | 0.86 | 22 | 0.87 | 58 | 2.28 | 42,0001,4055 | | |
| MTW 400i/500i MTG 320i/400i MTB W 400i R MTB G 320i R 500i R 400i R | M23x2 | | | | | | | | | | |
| | 13 | 0.51 | 25 | 0.98 | 16,4 | 0.64 | 59 | 2.32 | 42,0001,4085 | | |
| | 15 | 0.59 | 25 | 0.98 | 18,6 | 0.73 | 59 | 2.32 | 42,0001,4048 | | |
| | 13 | 0.51 | 25 | 0.98 | 16,4 | 0.64 | 61 | 2.40 | 42,0001,4086 | | standard MTB 320i G R |
| | 15 | 0.59 | 25 | 0.98 | 18,1 | 0.71 | 61 | 2.40 | 42,0001,4474 | | standard MTB 400i W R |
| | 15 | 0.59 | 27 | 1.06 | 20,2 | 0.80 | 61 | 2.40 | 42,0001,4789 | | MTB 400i W R, heavy duty |
| | 17 | 0.71 | 25 | 0.98 | 20,8 | 0.82 | 61 | 2.40 | 42,0001,4476 | | standard MTB 500i W R |
| | 13 | 0.51 | 25 | 0.98 | 16,4 | 0.64 | 61 | 2.40 | 42,0001,4497 | AI | |
| | 13 | 0.51 | 25 | 0.98 | 16,4 | 0.64 | 63 | 2.48 | 42,0001,4080 | | standard MTG 320i |
| | 15 | 0.59 | 25 | 0.98 | 18,6 | 0.73 | 61 | 2.40 | 42,0001,4496 | AI | |
| | 15 | 0.59 | 25 | 0.98 | 18,6 | 0.73 | 63 | 2.48 | 42,0001,4051 | | standard MTW 400i |
| | 17 | 0.71 | 25 | 0.98 | 20,8 | 0.82 | 61 | 2.40 | 42,0001,4494 | AI | |
| | 17 | 0.71 | 25 | 0.98 | 20,8 | 0.82 | 63 | 2.48 | 42,0001,4050 | | standard MTW500i,330i W R long |
| | 17 | 0.71 | 27 | 1.06 | 20,8 | 0.82 | 63 | 2.48 | 42,0001,4216 | | MTW 500i, heavy duty |
| | 21 | 0.82 | 25 | 0.98 | 25,0 | 0.98 | 63 | 2.48 | 42,0001,4054 | | |
| | 15 | 0.59 | 25 | 0.98 | 18,6 | 0.73 | 68 | 2.68 | 42,0001,4052 | | |
| | 17 | 0.71 | 25 | 0.98 | 20,8 | 0.82 | 68 | 2.68 | 42,0001,4049 | | |
| | 13 | 0.51 | 25 | 0.98 | 16,4 | 0.64 | 71 | 2.80 | 42,0001,4087 | | |
| | 15 | 0.59 | 25 | 0.98 | 18,6 | 0.73 | 71 | 2.80 | 42,0001,4788 | | |
| | 13 | 0.51 | 25 | 0.98 | 16,4 | 0.64 | 73 | 2.87 | 42,0001,4088 | | |
| 15 | 0.59 | 25 | 0.98 | 18,6 | 0.73 | 73 | 2.87 | 42,0001,4475 | | | |
| 15 | 0.59 | 27 | 1.06 | 18,6 | 0.73 | 73 | 2.87 | 42,0001,4790 | | standard MTB 400i G R | |
| 15 | 0.59 | 25 | 0.98 | 18,6 | 0.73 | 73 | 2.87 | 42,0001,4495 | AI | MTB 400i G R, heavy duty | |
| 15 | 0.59 | 25 | 0.98 | 18,6 | 0.73 | 75 | 2.95 | 42,0001,4045 | | standard MTG 400i | |
| 17 | 0.71 | 25 | 0.98 | 20,8 | 0.82 | 75 | 2.95 | 42,0001,4043 | | | |
| 21 | 0.82 | 25 | 0.98 | 25,0 | 0.98 | 75 | 2.95 | 42,0001,4053 | | | |
| 15 | 0.59 | 25 | 0.98 | 18,6 | 0.73 | 80 | 3.15 | 42,0001,4047 | | | |

TAB. 12

| | d1 | | d2 | | d3 | | L | | Part No. | | |
|---|-------|------|-----|------|------|------|----|------|--------------|--|-------------------------|
| | mm | inch | mm | inch | mm | inch | mm | inch | | | |
| MTB W400i W R H MTB W500i W R H | M23x2 | | | | | | | | | | |
| | 15 | 0.59 | ø25 | 0.98 | 18,6 | 0.73 | 61 | 2.40 | 44,0350,3935 | | standard MTB 400i W R H |
| | 15 | 0.59 | ø25 | 0.98 | 18,6 | 0.73 | 63 | 2.48 | 44,0350,1287 | | |
| | 17 | 0.66 | ø25 | 0.98 | 20,8 | 0.82 | 61 | 2.40 | 44,0350,3936 | | standard MTB 500i W R H |

TAB. 5

MTB 700i
MTW 750i

| | d1 | | d2 | | d3 | | L | | Part No. | | |
|---|----|------|-----|------|----|------|------|------|--------------|--|------------------------|
| | mm | inch | mm | inch | mm | inch | mm | inch | | | |
| ① | 17 | 0.66 | ø29 | 1.10 | 22 | 0.86 | 71 | 2,79 | 44,0350,3966 | | Standard MTW 700i/750i |
| ② | 17 | 0.66 | ø29 | 1.10 | 22 | 0.86 | 29 | 1.14 | 42,0001,4257 | | Standard MTW 700i/750i |
| ① | 17 | 0.66 | ø29 | 1.10 | 22 | 0.86 | 76 | 3.00 | 44,0350,3942 | | HD |
| ② | 17 | 0.66 | ø29 | 1.10 | 22 | 0.86 | 34 | 1.34 | 42,0001,4670 | | HD |
| ① | 17 | 0.66 | ø29 | 1.10 | 22 | 0.86 | 68,5 | 2.70 | 44,0350,4079 | | Standard MTB 700i W R |
| ② | 17 | 0.66 | ø29 | 1.10 | 22 | 0.86 | 26,5 | 1.04 | 42,0001,4868 | | Standard MTB 700i W R |
| ① | 17 | 0.66 | ø29 | 1.10 | 22 | 0.86 | 69 | 2.72 | 44,0350,0226 | | Laser Hybrid |
| ② | 17 | 0.66 | ø29 | 1.10 | 22 | 0.86 | 27 | 1.06 | 42,0001,0142 | | Laser Hybrid |

MTW 500i /FSC/3.5m/45°/LED (4,035,957)

| TAB. 6 | | | | | | | | | | | | | | |
|---------------------|---------------------|-------|------|----|------|-----|------|----|------|----------|------|--------------|----|---------------------------------------|
| | | d1 | | d2 | | d3 | | L | | Part No. | | | | |
| | | mm | inch | mm | inch | mm | inch | mm | inch | | | | | |
| MTB G 330i R | MTB W 330i R | M23x2 | | 13 | 0.51 | ø25 | 0.98 | 16 | 0.63 | 37 | 1.46 | 42,0001,4533 | | not possible at MTB 330i G R H |
| | | | | 13 | 0.51 | ø25 | 0.98 | 16 | 0.63 | 41 | 1.61 | 42,0001,4487 | | |
| | | | | 13 | 0.51 | ø25 | 0.98 | 16 | 0.63 | 39,5 | 1.61 | 42,0001,4534 | Al | |
| | | | | 13 | 0.51 | ø25 | 0.98 | 16 | 0.63 | 39,5 | 1.56 | 42,0001,4902 | | standard MTB 330i G R G R H |
| | | | | 15 | 0.59 | ø25 | 0.98 | 18 | 0.72 | 39,5 | 1.56 | 42,0001,5023 | | |

| TAB. 7 | | | | | | | | | | | | |
|-------------------------|-------|----|------|-----|------|----|------|----|------|--------------|--|-------------------------|
| | | d1 | | d2 | | d3 | | L | | Part No. | | |
| | | mm | inch | mm | inch | mm | inch | mm | inch | | | |
| MTB W 330i W R H | M23x2 | 13 | 0.51 | ø25 | 0.98 | 16 | 0.63 | 41 | 1,61 | 42,0001,4486 | | standard MTB 330i W R H |

| TAB. 8 | | | | | | | | | | | | | |
|---------------------|---------------------|-------|------|----|------|-----|------|----|------|----------|------|--------------|--|
| | | d1 | | d2 | | d3 | | L | | Part No. | | | |
| | | mm | inch | mm | inch | mm | inch | mm | inch | | | | |
| MTB W 330i R | MTB G 330i R | M23x2 | | 13 | 0.51 | ø25 | 0.98 | 16 | 0.63 | 56 | 2.21 | 42,0001,4745 | |
| | | | | 13 | 0.51 | ø25 | 0.98 | 16 | 0.63 | 50 | 1.97 | 42,0001,6772 | |

| TAB. 9 | | | | | | | | | | | | |
|--------------------------|-------|----|------|-----|------|----|------|----|------|--------------|--|-----------------------|
| | | d1 | | d2 | | d3 | | L | | Part No. | | |
| | | mm | inch | mm | inch | mm | inch | mm | inch | | | |
| MTB G 330i R long | M23x2 | 13 | 0.51 | ø27 | 1.06 | 18 | 0.72 | 53 | 2.09 | 42,0001,4858 | | standard MTB 330i G R |
| | | 15 | 0.59 | ø27 | 1.06 | 18 | 0.72 | 53 | 2.09 | 42,0001,4857 | | |
| | | 15 | 0.59 | ø27 | 1.06 | 18 | 0.72 | 57 | 2.09 | 42,0001,4856 | | |

| TAB. 10 | | | | | | | | | | | | |
|-----------------|-------|----|------|-----|------|----|------|------|------|--------------|--|-------------------|
| | | d1 | | d2 | | d3 | | L | | Part No. | | |
| | | mm | inch | mm | inch | mm | inch | mm | inch | | | |
| MTG 550i | M25x3 | 15 | 0.59 | ø27 | 1.06 | 19 | 0.75 | 67 | 2.64 | 44,0350,2020 | | standard MTG 550i |
| | | 17 | 0.67 | ø27 | 1.06 | 21 | 0.83 | 67 | 2.64 | 44,0350,2021 | | |
| | | 15 | 0.59 | ø27 | 1.06 | 19 | 0.75 | 74 | 2.91 | 44,0350,1991 | | |
| | | 17 | 0.67 | ø27 | 1.06 | 21 | 0.83 | 74 | 3.91 | 44,0350,1995 | | |
| | | 15 | 0.59 | ø27 | 1.06 | 19 | 0.75 | 80,5 | 3.17 | 44,0350,1987 | | |
| | | 15 | 0.59 | ø27 | 1.06 | 19 | 0.75 | 82,5 | 3.25 | 44,0350,1988 | | |
| | | 17 | 0.67 | ø27 | 1.06 | 21 | 0.83 | 83,5 | 3.29 | 44,0350,3179 | | |
| | | 18 | 0.71 | ø27 | 1.06 | 22 | 0.89 | 87,5 | 3.44 | 44,0350,3180 | | |

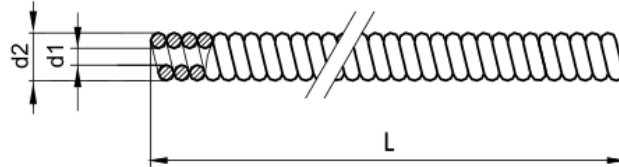
| TAB. 11 | | | | | | | | | | | | | | |
|-------------------------|-------------------------|-------|------|----|------|-----|------|----|------|----------|------|--------------|--|----------------------------------|
| | | d1 | | d2 | | d3 | | L | | Part No. | | | | |
| | | mm | inch | mm | inch | mm | inch | mm | inch | | | | | |
| MTB 400/500i W R | MTB 320/400i G R | M23x2 | | 13 | 0.51 | ø25 | 0.98 | 16 | 0.63 | 62,5 | 2.46 | 42,0001,4917 | | standard MTB 320i G / 400/500i W |
| | | | | 10 | 0.39 | ø25 | 0.98 | 16 | 0.63 | 68,0 | 2.68 | 42,0001,6715 | | |
| | | | | 13 | 0.51 | ø25 | 0.98 | 16 | 0.63 | 68,0 | 2.68 | 42,0001,6716 | | |
| | | | | 13 | 0.51 | ø25 | 0.98 | 16 | 0.63 | 74,5 | 2.93 | 42,0001,4918 | | |

| TAB. 14 | | | | | | | | | | | | |
|-----------------|------|----|------|-----|------|----|------|------|------|--------------|--|---------------------|
| | | d1 | | d2 | | d3 | | L | | Part No. | | |
| | | mm | inch | mm | inch | mm | inch | mm | inch | | | |
| MTG 400i | plug | 15 | 0.51 | ø25 | 0.79 | 19 | 0.63 | 69,5 | 2.91 | 42,0001,0972 | | standard MTB 400i G |

| TAB. 15 | | | | | | | | | | | | |
|-----------------|------|----|------|-----|------|------|------|----|------|--------------|--|---------------------|
| | | d1 | | d2 | | d3 | | L | | Part No. | | |
| | | mm | inch | mm | inch | mm | inch | mm | inch | | | |
| MTW 500i | plug | 17 | 0.66 | ø27 | 1.06 | 22,2 | 0.87 | 85 | 3.34 | 44,0350,2036 | | standard MTB 500i W |

MTW 500i /FSC/3.5m/45°/LED (4,035,957)

Tab. 3



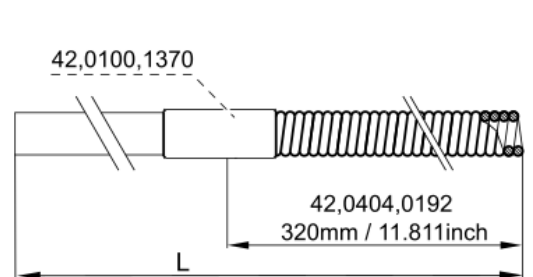
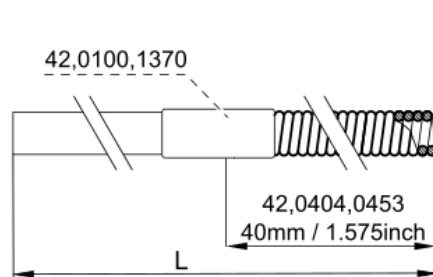
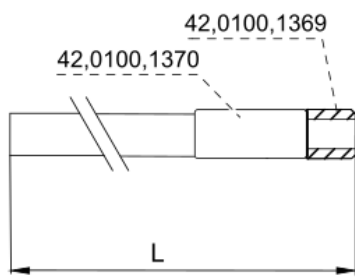
| material | | | d1 | | d2 | | Part No. L | | Part No. L | | Part No. L | |
|--------------------|---------|-----------|-----|------|-----|------|------------------|------------------|------------------|----------|---------------|---------|
| | | | mm | inch | mm | inch | 5m | 16.4feet | 15m | 49.2feet | 50m | 160feet |
| Steel liner | 0,8 | .030 | 1,4 | .055 | 4,4 | .176 | 40,0002,0040,005 | 40,0002,0040,015 | 40,0002,0040,050 | | | |
| Steel liner | 0,9-1,0 | .035/.040 | 1,6 | .062 | 4,8 | .189 | 40,0002,0041,005 | 40,0002,0041,015 | 40,0002,0041,050 | | | |
| Steel liner | 1,2 | .045 | 1,9 | .074 | 4,9 | .192 | 40,0002,0042,005 | 40,0002,0042,015 | 40,0002,0042,050 | | | |
| Steel liner | 1,4-1,6 | .052/.062 | 2,5 | .098 | 4,9 | .192 | 40,0002,0043,005 | 40,0002,0043,015 | 40,0002,0043,050 | | | |
| CrNi liner | 0,8 | .030 | 1,4 | .055 | 4,4 | .176 | 40,0002,0044,005 | 40,0002,0044,015 | 40,0002,0044,050 | | | |
| CrNi liner | 0,9-1,0 | .035/.040 | 1,6 | .062 | 4,8 | .189 | 40,0002,0045,005 | 40,0002,0045,015 | 40,0002,0045,050 | | | |
| CrNi liner | 1,2 | .045 | 1,9 | .074 | 4,9 | .192 | 40,0002,0046,005 | 40,0002,0046,015 | 40,0002,0046,050 | | | |
| CrNi liner | 1,4-1,6 | .052/.062 | 2,5 | .098 | 4,9 | .192 | 40,0002,0047,005 | 40,0002,0047,015 | 40,0002,0047,050 | | | |
| Steel liner coated | 0,8 | .030 | 1,4 | .055 | 4,4 | .176 | 40,0002,0052,005 | 40,0002,0052,015 | 40,0002,0052,050 | | | |
| Steel liner coated | 0,9-1,0 | .035/.040 | 1,6 | .062 | 4,8 | .189 | 40,0002,0053,005 | 40,0002,0053,015 | 40,0002,0053,050 | | | |
| Steel liner coated | 1,2 | .045 | 1,9 | .074 | 4,9 | .192 | 40,0002,0054,005 | 40,0002,0054,015 | 40,0002,0054,050 | | | |
| Steel liner coated | 1,4-1,6 | .052/.062 | 2,5 | .098 | 4,9 | .192 | 40,0002,0055,005 | 40,0002,0055,015 | 40,0002,0055,050 | | | |

Tab. 3

combi liner W AL

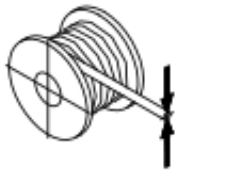
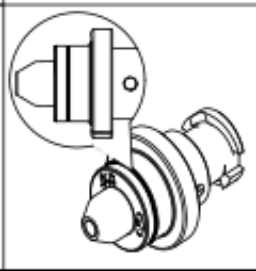
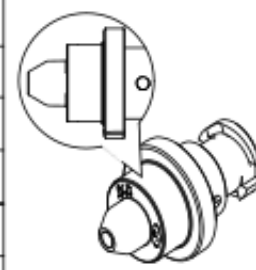

combi liner G AL

combi inner liner G

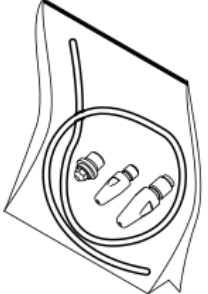


| | L | | d1 | | d2 | | combi liner W AL | combi liner G AL | combi inner liner G | |
|---------|-----------|------|------|------|------|------|---------------------|---------------------|------------------------|--------------|
| | mm | inch | mm | inch | mm | inch | Part No. | Part No. | Part No. | |
| 0,8 | .030 | 2,0 | 6.5 | 1,2 | .059 | 4,7 | .185 | 44,0350,3388 | 44,0350,3400 | 44,0350,5550 |
| 0,8 | .030 | 3,8 | 12.4 | 1,2 | .059 | 4,7 | .185 | 44,0350,3392 | 44,0350,3404 | 44,0350,5513 |
| 0,8 | .030 | 4,8 | 15.7 | 1,2 | .059 | 4,7 | .185 | 44,0350,3396 | 44,0350,3408 | 44,0350,5518 |
| 0,9-1,0 | .035/.040 | 2,0 | 6.5 | 1,5 | .062 | 4,7 | .185 | 44,0350,3389 | 44,0350,3401 | 44,0350,5551 |
| 0,9-1,0 | .035/.040 | 3,8 | 12.4 | 1,5 | .062 | 4,7 | .185 | 44,0350,3393 | 44,0350,3405 | 44,0350,5514 |
| 0,9-1,0 | .035/.040 | 4,8 | 15.7 | 1,5 | .062 | 4,7 | .185 | 44,0350,3397 | 44,0350,3409 | 44,0350,5519 |
| 1,2 | .045 | 2,0 | 6.5 | 1,8 | 0.74 | 4,7 | .185 | 44,0350,3390 | 44,0350,3402 | 44,0350,5552 |
| 1,2 | .045 | 3,8 | 12.4 | 1,8 | 0.74 | 4,7 | .185 | 44,0350,3394 | 44,0350,3406 | 44,0350,5515 |
| 1,2 | .045 | 4,8 | 15.7 | 1,8 | 0.74 | 4,7 | .185 | 44,0350,3398 | 44,0350,3410 | 44,0350,5520 |
| 1,4-1,6 | .052/.062 | 2,0 | 6.5 | 2,4 | .098 | 4,7 | .185 | 44,0350,3391 | 44,0350,3403 | 44,0350,5553 |
| 1,4-1,6 | .052/.062 | 3,8 | 12.4 | 2,4 | .098 | 4,7 | .185 | 44,0350,3395 | 44,0350,3407 | 44,0350,5516 |
| 1,4-1,6 | .052/.062 | 4,8 | 15.7 | 2,4 | .098 | 4,7 | .185 | 44,0350,3399 | 44,0350,3411 | 44,0350,5521 |
| 2,0 | .045 | 2,0 | 6.5 | 1,2 | .059 | 4,7 | .185 | 44,0350,3615 | 44,0350,3618 | 44,0350,5554 |
| 2,0 | .045 | 3,8 | 12.4 | 3,0 | .118 | 4,7 | .185 | 44,0350,3616 | 44,0350,3619 | 44,0350,5517 |
| 2,0 | .045 | 4,8 | 15.7 | 3,0 | .118 | 4,7 | .185 | 44,0350,3617 | 44,0350,3620 | 44,0350,5522 |

MTW 500i / FSC/3.5m/45°/LED (4,035,957)

| Tab. 4 | | | | | |
|--|------|------------------|-------------------|---------------|---|
| MTG / MTW | | | | | |
|  Ø mm Ø inch | | Fe / CrNi | Alu / CuSi | colour | |
| 0,8 | .031 | | 44,0350,3314 | grey |  |
| 0,8 | .031 | 44,0350,3315 | | grey | |
| 0,9-1,0 | .039 | 44,0350,3317 | | blue |  |
| 1,2 | .047 | 44,0350,3318 | | red | |
| 1,4-1,6 | .062 | 44,0350,3320 | | black | |
| 2,0 | .078 | | 44,0350,3321 | green | |
| 2,4 | .095 | | 44,0350,4245 | brown |  |
| 2,0 | .078 | 42,0001,4589 | | | |
| 2,4 | .095 | | | | |
| 2,8 | .110 | | | | |

MTW 500i /FSC/3.5m/45°/LED (4,035,957)

| Basic kit 250i / 320i / 400i / 500i / 700i | Ø mm Ø inch | | m feet | | Fe MTG / MTW Part No. | CrNi MTG / MTW Part No. | Alu MTW Part No. | CuSi MTW Part No. | Alu/CuSi MTG Part No. |
|--|---|------|----------|------|-----------------------------|-------------------------------|------------------------|-------------------------|-----------------------------|
| |  | 0,6 | .023 | 5,0 | 11.5 | 44,0350,5296 | X | X | |
| 0,8 | | .030 | 5,0 | 11.5 | 44,0350,5117 | 44,0350,5158 | 44,0350,5135 | | 44,0350,5144 |
| 0,9 | | .035 | 5,0 | 14.8 | 44,0350,5118 | 44,0350,5159 | 44,0350,5136 | | 44,0350,5145 |
| 1,0 | | .040 | 5,0 | 11.5 | 44,0350,5119 | 44,0350,5160 | 44,0350,5137 | | 44,0350,5146 |
| 1,2 | | .047 | 5,0 | 14.8 | 44,0350,5120 | 44,0350,5161 | 44,0350,5138 | | 44,0350,5147 |
| 1,4 | | .052 | 5,0 | 11.5 | 44,0350,5121 | 44,0350,5162 | 44,0350,5139 | | 44,0350,5148 |
| 1,6 | | .062 | 5,0 | 14.8 | 44,0350,5122 | 44,0350,5163 | 44,0350,5140 | | 44,0350,5149 |
| 2,0 | | .078 | 5,0 | 14.8 | X | X | 44,0350,5141 | | X |

MTW 500i /FSC/3.5m/45°/LED (4,035,957)

TOOLS

